

C. G. SHEPARD & P. ADAMS, Jr.  
TOY SAVINGS BANK.

No. 321,650

Patented July 7, 1885.

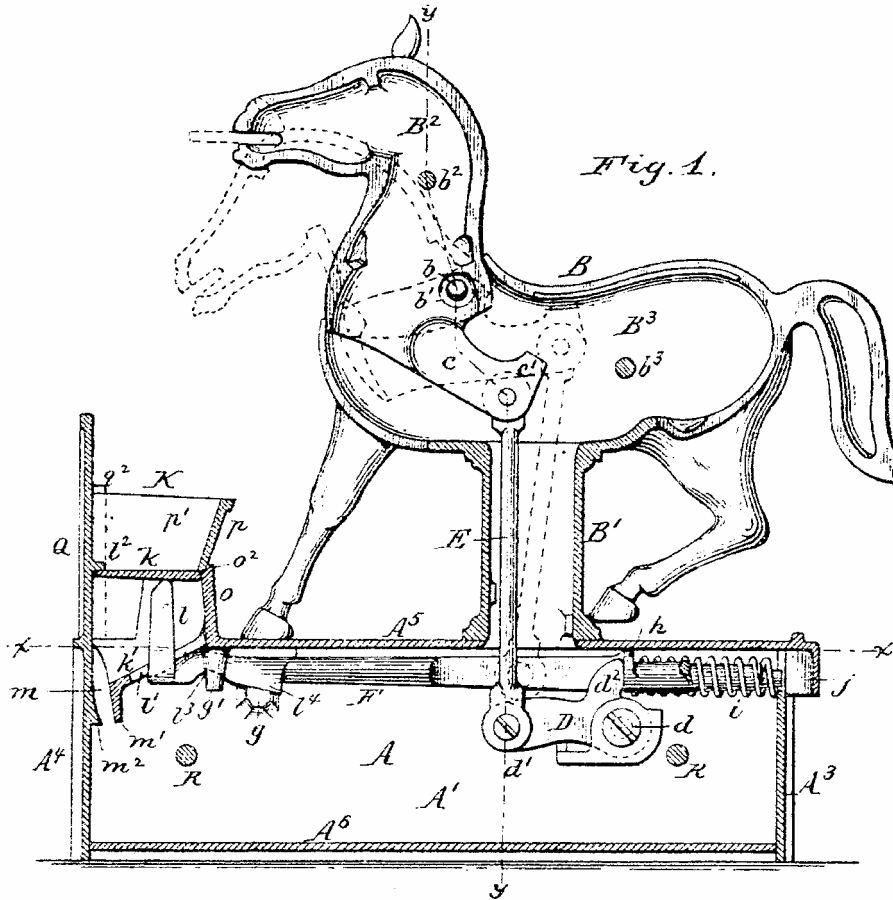


Fig. 1.

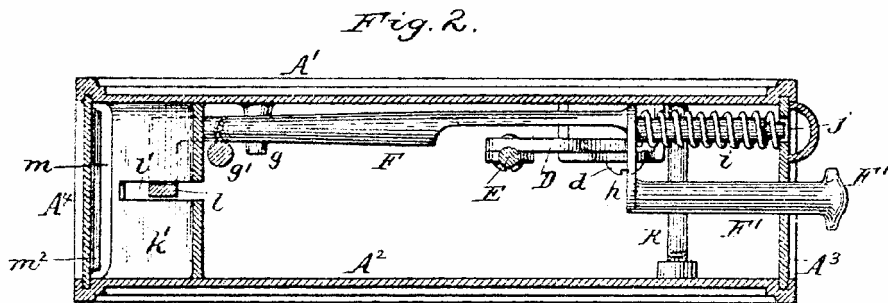


Fig. 2.

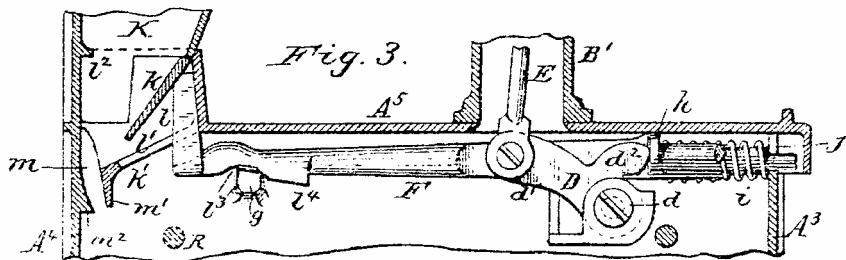


Fig. 3.

Theo. L. Popp  
 Chas. Buchheit. } Witnesses.

Chas. G. Shepard  
 Peter Adams Jr. } Inventors.  
 By Wilhelm Bonner. } Attorneys.

C. G. SHEPARD & P. ADAMS, Jr.  
TOY SAVINGS BANK.

No. 321,650.

Patented July 7, 1885.

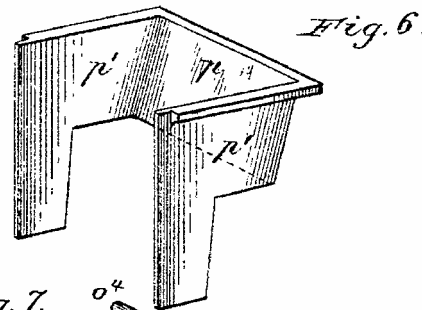
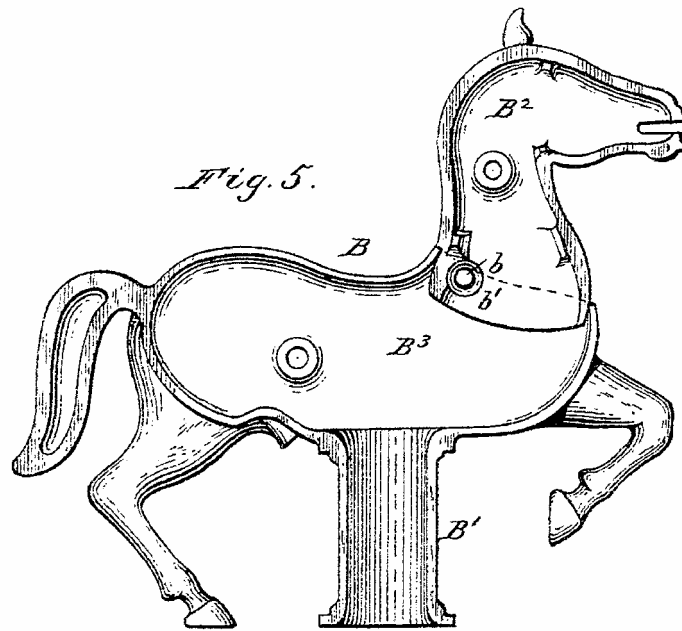
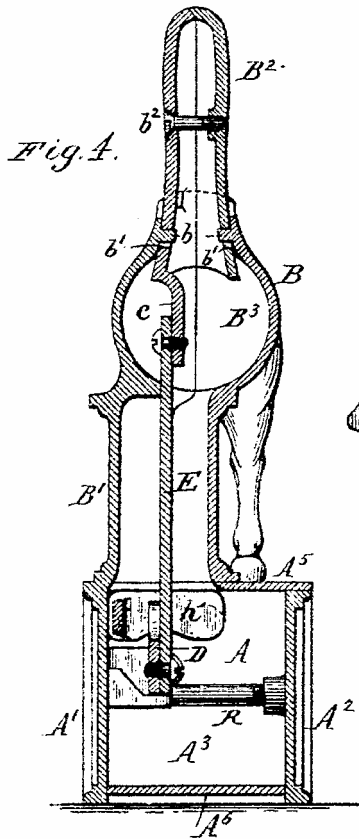


Fig. 8.

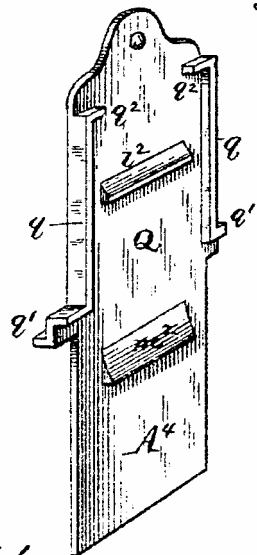
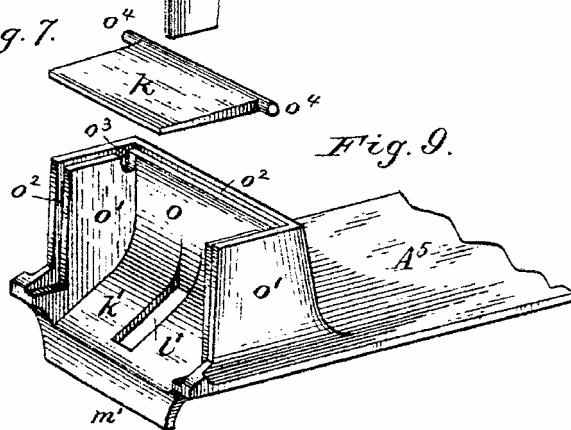


Fig. 7.



Theo. L. Popp  
 Chas. Leuchter  
 Witnesses.

Chas. G. Shepard }  
 Peter Adams Jr. } Inventors.  
 By Wilhelm & Bonnet }  
 Attorneys.

# UNITED STATES PATENT OFFICE.

CHARLES G. SHEPARD AND PETER ADAMS, JR., OF BUFFALO, NEW YORK;  
SAID ADAMS ASSIGNOR TO WALTER J. SHEPARD, OF SAME PLACE.

## TOY SAVINGS-BANK.

SPECIFICATION forming part of Letters Patent No. 321,650, dated July 7, 1885.

Application filed January 15, 1885. (No model.)

*To all whom it may concern:*

Be it known that we, CHARLES G. SHEPARD and PETER ADAMS, Jr., both of the city of Buffalo, in the county of Erie and State of New York, have invented a new and useful Improvement in Toy Savings-Banks, of which the following is a specification.

The object of this invention is to produce a neat, strong, and attractive toy savings-bank provided with the figure of a horse or similar animal having a movable head, the coins being placed in the mouth of the animal and deposited in a trough or receptacle arranged in front of said animal, which is provided with a movable bottom, and from which they pass into the bank proper.

Our invention consists of the improvements in the construction of the bank and of the mechanism whereby the movable head of the horse and the movable bottom of the trough are simultaneously lowered in depositing the coin and raised after the coin has been deposited, as will be hereinafter fully set forth, and pointed out in the claims.

In the accompanying drawings, consisting of two sheets, Figure 1 represents a longitudinal sectional elevation of our improved toy savings-bank. Fig. 2 is a horizontal section in line  $x x$ , Fig. 1. Fig. 3 is a longitudinal sectional elevation of the lower portion of the bank, showing the parts in the position they assume when the coin is being deposited. Fig. 4 is a vertical cross-section in line  $y y$ , Fig. 1. Fig. 5 is an interior view of one-half of the figure, forming the upper portion of the bank. Figs. 6, 7, 8, and 9 represent perspective views of the different parts of the trough or receptacle into which the coins are deposited.

Like letters of reference refer to like parts in the several figures.

A represents the base of our improved bank, composed of the side plates,  $A^1$ ,  $A^2$ , end plates,  $A^3$ ,  $A^4$ , top plate,  $A^5$ , and bottom plate,  $A^6$ , forming together an oblong or rectangular box or receptacle for holding the coins.

B represents the figure of a horse or similar animal, mounted on the base A, and connected with the top plate,  $A^5$ , by a hollow sleeve or column,  $B^1$ . The head and neck portion  $B^2$  of

the figure are cast together and made separate from the body portion  $B^3$ , to which the neck is pivoted by pins or lugs  $b$ , cast on or secured to the inner side of the body portion and entering openings  $b^1$ , formed in the neck, as shown in Fig. 4. The pivotal connection of the neck and body of the figure is arranged at the lower end of the neck in such manner that the overhanging weight of the head and neck will cause the latter to drop or swing forward and downward on the pivots. The head and neck portion  $B^2$  of the figure are cast in halves joined together lengthwise, and secured together by a screw-bolt,  $b^2$ , as clearly shown in Fig. 4. The body portion  $B^3$  is also cast in two similar halves, secured together by a screw-bolt,  $b^3$ , as shown in Figs. 1 and 5.

$c$  represents an arm formed on the lower end of the neck portion of the figure, and provided with an extension or stop,  $c^1$ , which engages against the under side of the back portion of the figure and limits the downward movement of the head.

D represents an elbow-lever pivoted in the receptacle A of the bank, to one of its side plates, by a bolt or pin,  $d$ . The arm  $d^1$  of the lever D is connected with the arm  $c$  of the neck of the figure by a rod, E, which extends through the hollow column  $B^1$ .

F represents a horizontal sliding bar arranged in the receptacle A, below the top plate,  $A^5$ , and provided at one side with a thumb-piece or handle,  $F^1$ , which extends through the end plate  $A^3$ , and is connected with the bar F by a shoulder or cross-bar,  $h$ . The bar F is supported and guided at one end in the opening in the end plate  $A^3$ , and near its opposite end by a horizontal lug or projection,  $g$ , formed on the side plate  $A^4$ , and a downwardly-projecting lug,  $g^1$ , formed on the top plate,  $A^5$ . The shoulder or stop  $h$  is held against the short arm  $d^1$  of the lever D by a spring,  $i$ , which surrounds the sliding rod F, and rests with its inner end against the shoulder  $h$  and its outer end against the end plate  $A^3$ . The pressure of the spring  $i$  holds the arm  $d^1$  and rod E downward and the head and neck of the figure in an upright position, as shown in Fig. 1.

$j$  represents an opening formed in the end

100

plate A<sup>3</sup>, to permit the end of the rod F to project when the spring *i* is compressed, as shown in Fig. 3. By drawing outward on the handle F the shoulder *k* is removed from the lever D, permitting the head and neck portion of the figure to swing on the pivots until the stop *o'* comes in contact with the back of the figure. On releasing the handle F the spring *i* returns the sliding bar and the parts connected therewith to their former position.

K represents a trough or manger arranged upon the base or receptacle A and in front of the figure B. The trough K is provided with a hinged bottom *k*, and an inclined stationary bottom plate, *k'*, arranged below the movable bottom *k*.

*l* is a finger formed at the inner end of the sliding bar F, and projecting upwardly through a slot *l'* in the stationary bottom *k'*, and bearing against the under side of the hinged bottom *k*, holding the latter in a horizontal position against a ledge, *l''*, formed on the inner side of the rear wall of the trough K. In drawing the sliding bar F outward the finger *l* moves toward the fulcrum of the hinged bottom *k*, and permits the latter to drop, as represented in Fig. 3, and upon releasing the bar the finger returns to its former position and closes the hinged bottom *k*. The under side of the sliding bar F is preferably provided with a notch, *l'*, which permits the bar to drop over the lug *g* when the bar is drawn out, as represented in Fig. 3, to permit the hinged bottom to drop farther down, and the adjacent lower face of the sliding bar F is made inclined, as represented at *l'*, to enable the bar to ride upon the lug *g* in closing the bottom.

By this means the hinged bottom is lowered or opened simultaneously with the head and neck of the figure, thereby permitting the coin to enter from the trough into the receptacle below, and the parts are simultaneously returned to their elevated position, when the sliding bar is released. The stationary bottom terminates near the rear wall of the receptacle, forming a narrow slot, *m*, through which the coins pass from the trough into the receptacle below, and the stationary bottom and the rear wall of the receptacle are provided on the under side of such slot with ribs or ledges *m, m'*, which assist in preventing the coins from being shaken out of the receptacle. The head is constructed with an open mouth, which is in an approximately horizontal position when the head is raised, and adapted to receive and hold the coin preparatory to depositing it into the trough. The trough K is composed of an upper and a lower part, between which the hinged bottom *k* is arranged. The lower part of the trough is composed of a front wall, *o*, and side walls, *o'*, all cast on the top plate of the receptacle, as represented in Fig. 9.

The inclined bottom *k'* is cast with this portion of the front wall, *o*, and side walls, *o'*, are provided on their inner sides with ledges or offsets

with a shoulder bearing against said elbow-lever, and a spring, *i*, applied to said sliding bar, substantially as set forth.

4. The combination, with the receptacle A and receiving trough K, having a hinged bottom, *k*, of the sliding bar F, provided with a finger, *l*, bearing against said hinged bottom, substantially as set forth.

5. The combination, with the receptacle A and the stationary figure provided with a movable head, of the receiving-trough K, arranged on the receptacle A below said head, and provided with a hinged bottom, *k*, and a stationary inclined bottom, *k'*, having a slot, *m*, substantially as set forth.

6. In a toy savings-bank, the combination, with the side plates, A<sup>1</sup>, A<sup>2</sup>, and end plates, A<sup>3</sup>, of a top plate, A<sup>4</sup>, provided with raised front and side plates, *o, o'*, a top portion com-

posed of a front plate, *p*, and side plates, *p'*, resting, respectively, upon the plates *o, o'*, and a flanged end plate, Q, the whole forming a coin-receptacle having an elevated receiving-trough, substantially as set forth.

7. The combination, with a coin-receptacle A, of a receiving-trough, K, composed of an upper and a lower portion made separate from each other, and a hinged bottom confined between the two portions, substantially as set forth.

Witness our hands this 24th day of December, 1884.

CHARLES G. SHEPARD.  
PETER ADAMS, JR.

Witnesses:  
C. F. GREYER,  
JNO. J. BONNER.

on which the upper portion of the trough is seated. The side walls, *o'*, are also provided with sockets *o''*, in which the pivots *o'* of the hinged bottom *k* turn. The upper portion of the trough is composed of a front wall, *p*, and side walls, *p'*, which fit, respectively, against the upper and rear sides of the front wall, *o*, and side walls, *o'*, being held thereon by the offsets *o''*, and confining the pivoted bottom *k* in its sockets.

Q represents an upright plate, which constitutes the end wall, A<sup>1</sup>, of the receptacle, and also the rear wall of the trough K. The upper portion of the plate Q is provided with side flanges, *q*, which overlap the rear edges of the side walls, *p'*, of the trough and confine the same laterally.

*q'* are horizontal flanges extending outwardly from the lower ends of the side flanges, *q*, and resting upon the top plate, A<sup>2</sup>, and *q''* are similar flanges extending inwardly from the upper ends of the side flanges, *q*, and resting upon the upper edges of the side walls, *p'*, of the trough. The lower portion, A<sup>1</sup>, of the plate Q engages in upright grooves formed in the side plates, A<sup>1</sup>, A<sup>2</sup>, of the receptacle, and the end plate A<sup>3</sup> engages in similar grooves, as represented in Fig. 2. The side plates are secured together by screws R, and the interlocking flanges and grooves of the side plates, end plates, and trough-plates serve to secure all of these parts together by means of their fastening-screws.

The side plate A<sup>1</sup> is cast in one piece with one half of the column B' and one half of the body of the figure, as represented in Fig. 4. The other half of the figure and of the column are cast together separately from the other parts, as represented in Fig. 5.

We are aware that a toy savings-bank containing a coin-receptacle and a movable figure which receives the coin and deposits the same in the receptacle, as shown in Letters Patent No. 271,200, January 22, 1883, to C. M. Henn, is not new, and we do not broadly claim the same.

We claim as our invention—  
1. The combination, with a coin-receptacle and a receiving-trough having closed sides and provided with a movable bottom, of a figure secured to said receptacle and having a movable head adapted to receive the coin, and a sliding bar connected with said movable head and movable bottom, whereby both the movable bottom and head are lowered simultaneously to deposit the coin in the receptacle, substantially as set forth.

2. The combination, with the stationary body B' and the neck portion B'', pivoted thereto, and provided with an arm, *o*, of the elbow-lever D, connected with said arm, and the sliding bar F, bearing against said elbow-lever, substantially as set forth.

3. The combination, with the receptacle A and stationary figure B, secured thereto, of the neck portion B'' pivoted to said figure, and provided with an arm, *o*, the elbow-lever D, connected to said arm, the sliding bar F, provided

with a shoulder bearing against said elbow-lever, and a spring, *i*, applied to said sliding bar, substantially as set forth.

4. The combination, with the receptacle A and receiving trough K, having a hinged bottom, *k*, of the sliding bar F, provided with a finger, *l*, bearing against said hinged bottom, substantially as set forth.

5. The combination, with the receptacle A and the stationary figure provided with a movable head, of the receiving-trough K, arranged on the receptacle A below said head, and provided with a hinged bottom, *k*, and a stationary inclined bottom, *k'*, having a slot, *m*, substantially as set forth.

6. In a toy savings-bank, the combination, with the side plates, A<sup>1</sup>, A<sup>2</sup>, and end plates, A<sup>3</sup>, of a top plate, A<sup>4</sup>, provided with raised front and side plates, *o, o'*, a top portion com-

posed of a front plate, *p*, and side plates, *p'*, resting, respectively, upon the plates *o, o'*, and a flanged end plate, Q, the whole forming a coin-receptacle having an elevated receiving-trough, substantially as set forth.

7. The combination, with a coin-receptacle A, of a receiving-trough, K, composed of an upper and a lower portion made separate from each other, and a hinged bottom confined between the two portions, substantially as set forth.

Witness our hands this 24th day of December, 1884.

CHARLES G. SHEPARD.  
PETER ADAMS, JR.

Witnesses:  
C. F. GREYER,  
JNO. J. BONNER.