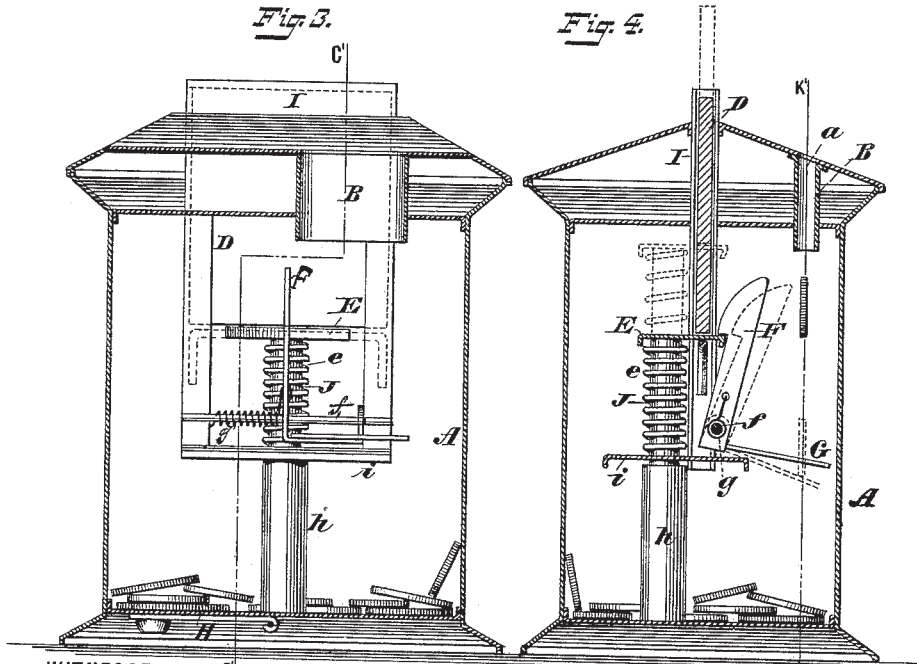
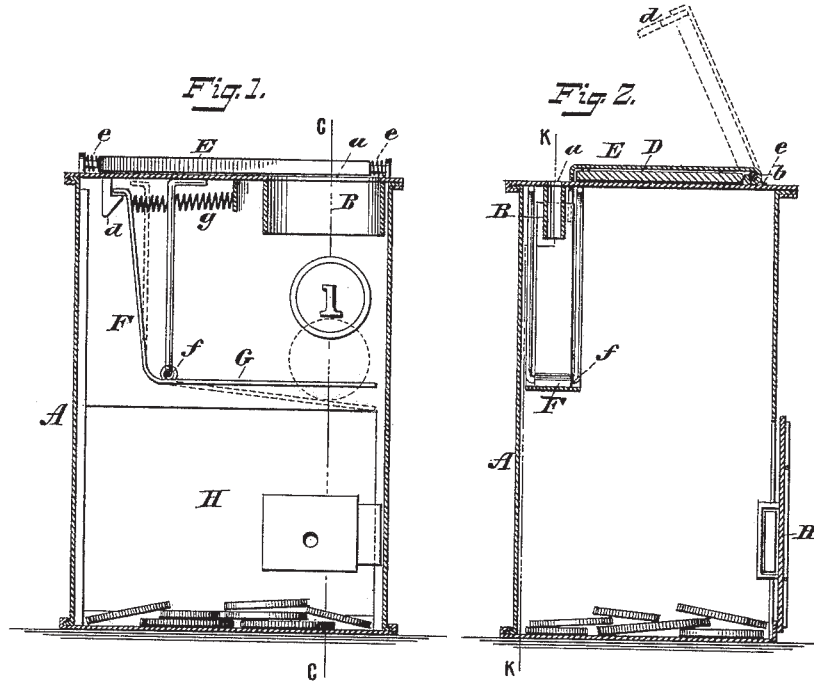


(No Model.)

M. EMANUEL.
MONEY BOX.

No. 409,778.

Patented Aug. 27, 1889.



WITNESSES: C

Gustave Dietrich
J. F. Bourne

INVENTOR

Max Emanuel

BY *Brisson, Steele & Knapp*

ATTORNEYS

UNITED STATES PATENT OFFICE.

MAX EMANUEL, OF LONDON, ENGLAND, ASSIGNOR TO GEORGE BORGFELDT
& CO., OF NEW YORK, N. Y.

MONEY-BOX.

SPECIFICATION forming part of Letters Patent No. 409,778, dated August 27, 1889.

Application filed February 21, 1889. Serial No. 300,736. (No model.) Patented in England May 11, 1888, No. 7,051, and in Germany October 13, 1888, No. 46,850.

To all whom it may concern:

Be it known that I, MAX EMANUEL, of London, England, have invented an Improved Money-Box, (for which I have obtained Letters Patent in Germany, No. 46,850, dated October 13, 1888, for fifteen years, and in Great Britain, No. 7,051, dated May 11, 1888, for fourteen years,) of which the following is a specification.

The object of my invention is to provide a money-box wherein a book will be exposed when a coin is passed into the box.

The invention consists in the combination, with a box having a slit for the entry of a coin and a movable member which supports or holds a book, of a latch for holding said movable member down, and a platform connected with said latch and extending in line with the coin-slot, whereby as an entering coin strikes said platform it will release the latch and thereby permit the movable member to expose the book.

The invention further consists in the details of improvement and the combinations of parts that will be more fully hereinafter set forth.

Reference is to be had to the accompanying drawings, forming part of this specification, in which—

Figure 1 is a vertical longitudinal section on the line K K, Fig. 2, of my improved money-box. Fig. 2 is a vertical cross-section on the line C C, Fig. 1. Fig. 3 is a vertical longitudinal section of a modification on the line K' K', Fig. 4; and Fig. 4 is a vertical cross-section of said modification on the line C' C', Fig. 3.

In the accompanying drawings, the letter A represents a box having an aperture *a*, preferably in its top, said aperture having a chute B for guiding the coin that is passed through the aperture *a*.

On the top of the box A, as shown in Fig. 2, a book D is to be placed, in which an entry may be made of the amount of money passed into the box. This book D lies flat on the top of the box, and is covered by a hinged cover or movable member E, that is suitably pivoted at one side, as at *b*, to the top of the money-box. The cover or movable member E

carries a hook or the like *d*, that passes through an opening in the box A. (See Fig. 1.) A spring *e*, that is coiled on the pivot of the cover or movable member E, or otherwise connected with it, tends to throw said cover or movable member E upward into the position shown by dotted lines in Fig. 2, as soon as the hook *d* is released. The cover or movable member E is held closed by a latch F, that is pivoted within the box A at *f*, one end of this latch being bent so as to engage the hook *d*, to hold the cover or movable member down, as shown in Fig. 1.

To the latch F is secured a horizontal platform G, that extends from said latch in line with and beneath the coin-chute B, so that a coin that is passed into the money-box through said chute will fall upon the platform G. A spring *g*, that is carried by the box, presses at one end against the latch F and holds it in position to engage the hook *d*.

When the book D is in position on the top of the box A, the cover or movable member E will be brought down so that the latch F will engage the hook *d* on said cover or movable member, and thereby hold down the cover or movable member so as to conceal and retain the book. When now a coin is passed into the box and drops upon the platform G, its weight will depress said platform, thereby drawing the latch F out of engagement with the hook *d*, as in Fig. 1, and releasing the cover or movable member E, which will immediately, under the influence of the spring *e*, be thrown up into the position shown by dotted lines in Fig. 2 and expose the book, so that it may be taken out and an entry made in it of the amount of the coin passed into the money-box. When such entry has been made, the book will be returned to the top of the box and the cover or movable member E brought down and caught by the latch F, the spring *g* meanwhile having returned the latch F to its proper position for engaging the hook *d*. A suitable door H may be placed in the box and provided with a lock or the like, whereby the money may be removed from the box.

In the modification shown in Figs. 3 and 4 the book D, instead of being laid on top of the box, is passed vertically into said box

through a chute I, that opens through the top of the box. The movable member E in this instance, instead of being above the box, is within the box, and is carried by a rod J, that is guided by a stationary tube *h* within the box A. The spring *e* is in this instance coiled around the rod J, and presses at one end against the movable member E and at its opposite end against a stationary shelf or the like *i*, supported on the upper end of the tube *h*, whereby the spring *e* tends to raise the movable member E, and with it the book D, that rests upon said movable member. The movable member E in this case is held down by the latch F contacting said movable member, the spring *g* serving to move and hold the latch into engagement with the movable member E. The shelf G, carried by the latch F, is beneath the chute B, as before shown.

To adjust the parts for operation, the book D is passed through the chute I, so as to depress the movable member E until it is caught by the latch F, whereby the book will be retained within the chute I. When the coin is inserted through the chute B, it strikes the platform G and by its weight depresses said platform, thereby withdrawing the latch F from the movable member E and permitting said member to be moved upwardly by the spring *e*, whereby the book will be propelled from the chute and the entry may be made, as before mentioned. After such entry has been made the book will be returned to the chute and depressed until the movable member E is caught by the latch.

Instead of the springs *e* and *g*, equivalent weights may be employed.

Having now described my invention, what I claim is—

1. The combination, with a box having an aperture for the entry of a coin and a movable member to hold a book, of a latch for holding said movable member down, and a platform in direct connection with said latch and extending in line with the coin-aperture, whereby as an entering coin strikes said platform it will move said platform, which will actuate the latch and thereby permit the movable member to expose the book, substantially as described.

2. A box A, having an aperture for the entry of a coin, and a movable member E, combined with a spring *e* for actuating said movable member, and with a latch F for holding said movable member, and a platform G in direct connection with said latch and extending in line with the coin-aperture, whereby when the entering coin strikes the platform it will release the latch to permit the movable member to expose a book, substantially as described.

3. The box A, having a coin-aperture, and the movable member E, having a hook *d*, combined with a spring-latch F within the box and adapted to engage the hook *d*, and with the platform G, carried by the latch and extending in line with the coin-aperture, all arranged and operating substantially as herein shown and described.

MAX EMANUEL.

Witnesses:

JNO. WM. ATKINSON,

FRANK HENRY IVES,

A. G. MOSSOER,

U. S. Consulate-General, London.