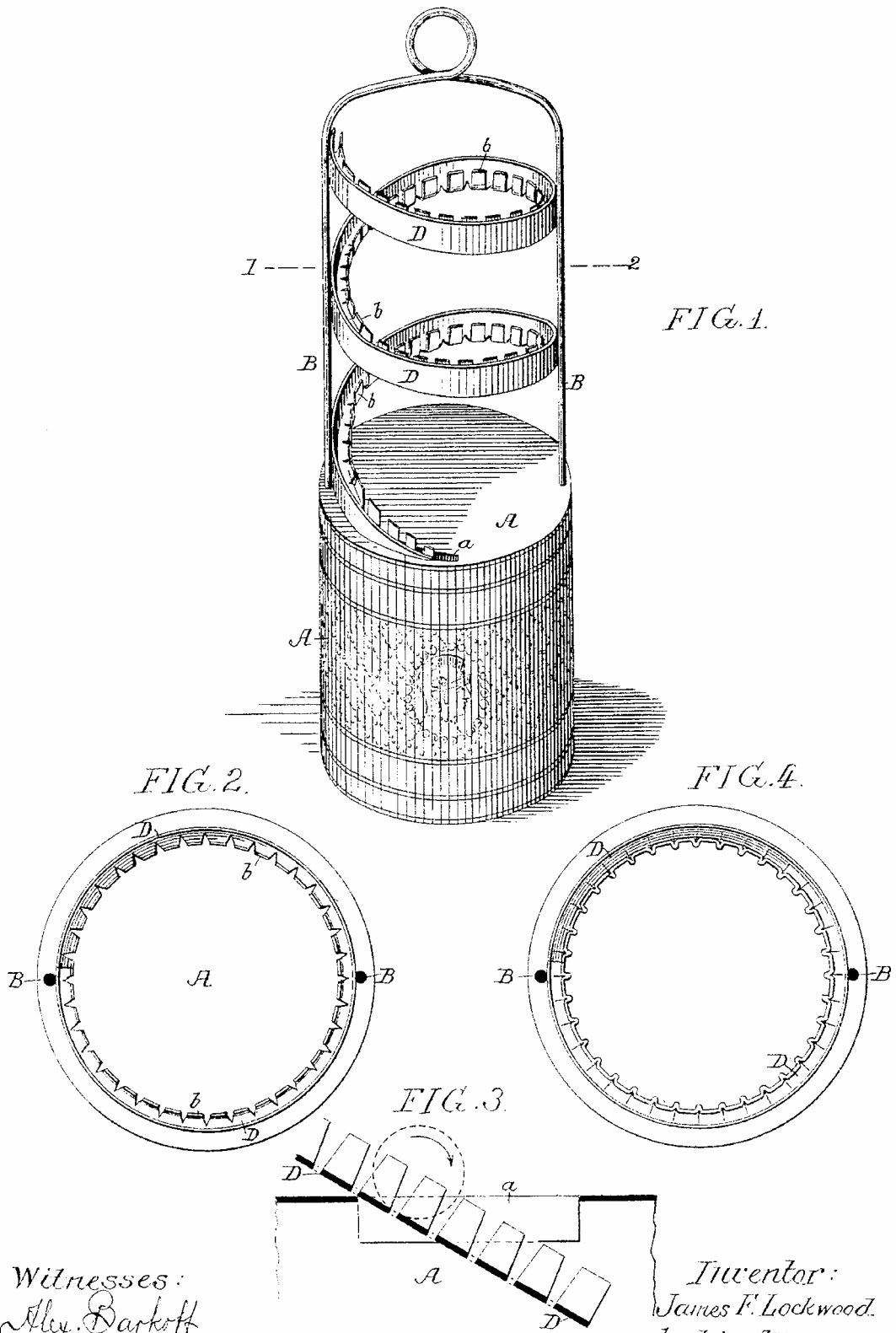


(No Model.)

J. F. LOCKWOOD.
TOY SAVINGS BANK.

No. 433,736.

Patented Aug. 5, 1890.



Witnesses:
Alex. Darkoff
A. V. Grouper.

Inventor:
James F. Lockwood.
by his Attorneys
Howson & Howson

UNITED STATES PATENT OFFICE.

JAMES F. LOCKWOOD, OF PHILADELPHIA, PENNSYLVANIA.

TOY SAVINGS-BANK.

SPECIFICATION forming part of Letters Patent No. 433,736, dated August 5, 1890.

Application filed February 14, 1890. Serial No. 340,450. (No model.)

To all whom it may concern:

Be it known that I, JAMES F. LOCKWOOD, a citizen of the United States, and a resident of Philadelphia, Pennsylvania, have invented certain Improvements in Toy Savings-Banks, of which the following is a specification.

The object of my invention is to construct a simple and attractive form of toy savings-bank, and this object I attain in the manner hereinafter set forth, reference being had to the accompanying drawings, in which—

Figure 1 is a perspective view of a toy savings-bank constructed in accordance with my invention. Fig. 2 is a sectional plan view of the same on the line 1 2, Fig. 1. Fig. 3 is a transverse section of part of the device, and Fig. 4 is a view similar to Fig. 2, but illustrating a preferable method of construction.

The base of the toy is a closed receptacle A, of any suitable form and dimensions, that shown in the drawings being in the form of a cylinder. From this receptacle rises a frame B, which supports a spiral track or chute D, the lower end of which enters a slot or opening *a* in the top of the receptacle and projects some distance below and beyond the same, as shown in Fig. 3.

The coin to be deposited in the receptacle is placed in the upper end of the chute D and rolls down the same in a spiral course, so as to finally pass through the slot *a* and into the receptacle, from which it cannot be readily removed, owing to the projection of the delivery end of the chute below and beyond said slot, this portion of the chute thus serving to guard the slot and interfere with the abstraction of the coins from the receptacle through the same.

The spiral chute D is preferably formed of one piece of sheet-metal bent into U form, and as the inner side of the chute is on a circle of less diameter than the outer side material must be removed or displaced from

said inner side of the chute in order to permit it to assume the spiral form. This may be done by simply cutting notches in the inner and bottom portions of the chute, as shown in Figs. 1 and 2, so that said inner and bottom portions of the chute are formed by a series of inwardly and upwardly bent fingers *b*; but as it is preferable to have the inner side of the chute, as well as the outer side, in the form of a continuous flange, I prefer in most cases, to simply crimp the metal of the inner side and bottom of the chute, as shown in Fig. 4. The sides of the chute should in all cases be higher than the width of the chute, otherwise the coin will not be properly supported and its descent will be prevented.

A toy savings-bank constructed in accordance with my invention is attractive to children because of the spiral run of the coin down the chute D from the time it is deposited in the upper end of the chute until it finally enters the receptacle.

I do not claim, broadly, the combination of a receptacle with a structure above the same presenting a series of inclined planes down which a coin may be permitted to roll, as this has heretofore been proposed; but

I claim as my invention and desire to secure by Letters Patent—

The within-described toy savings-bank, the same consisting of a receptacle having a slot therein, and a spiral chute mounted above the receptacle and having its discharge end passing through said slot and projecting into the receptacle below and beyond the slot, substantially as specified.

In testimony whereof I have signed my name to this specification in the presence of two subscribing witnesses.

JAMES F. LOCKWOOD.

Witnesses:

EUGENE ELTERICH,
HARRY SMITH.